

13 12 11 10 9 8 7 6 5 4 3 2 1

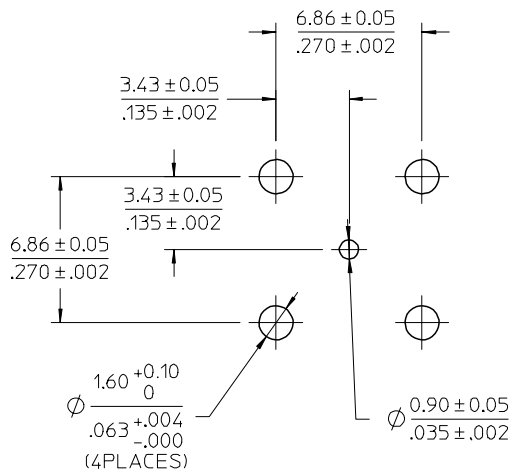
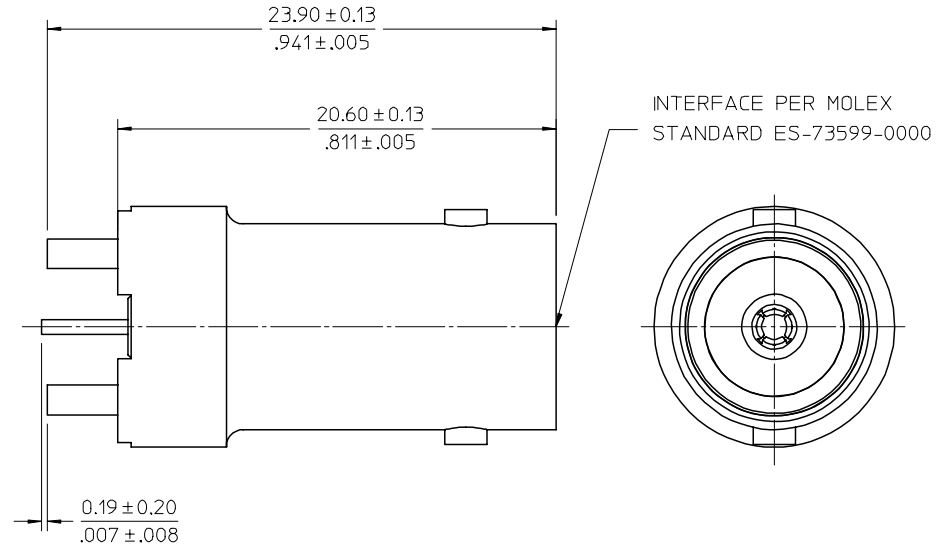
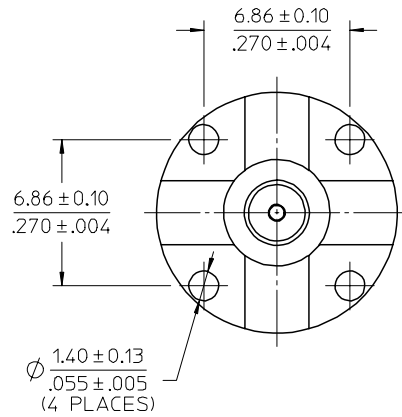
J J

MATERIALS AND FINISHES

BODY ZINC ALLOY  
PLATED NICKEL 70u" MIN

CENTER CONTACT  
PHOSPHOR BRONZE  
PLATED GOLD 30u" MIN

INSULATOR TEFLON



PCB HOLE CONFIGURATION

LOAD TO WM EC NO: URF2008-0099 DRAWN/CLL: 2007/08/17 CHKD: 2007/08/17 APPR: MHIANG 2007/08/17 REV: C1	QUALITY SYMBOLS	GENERAL TOLERANCES (UNLESS SPECIFIED)	DIMENSION STYLE	SCALE	DESIGN UNITS	THIRD ANGLE PROJECTION															
	$\nabla=0$ $\nabla=0$	<table border="1"> <thead> <tr> <th></th> <th>mm</th> <th>INCH</th> </tr> </thead> <tbody> <tr> <td>4 PLACES</td> <td>± .004</td> <td>± .001</td> </tr> <tr> <td>3 PLACES</td> <td>± .005</td> <td>± .001</td> </tr> <tr> <td>2 PLACES</td> <td>± .007</td> <td>± .001</td> </tr> <tr> <td>1 PLACE</td> <td>± .010</td> <td>± .002</td> </tr> </tbody> </table>		mm	INCH	4 PLACES	± .004	± .001	3 PLACES	± .005	± .001	2 PLACES	± .007	± .001	1 PLACE	± .010	± .002	MM/IN		METRIC	
		mm	INCH																		
	4 PLACES	± .004	± .001																		
3 PLACES	± .005	± .001																			
2 PLACES	± .007	± .001																			
1 PLACE	± .010	± .002																			
DESCRIPTION																					
		DRAFT WHERE APPLICABLE MUST REMAIN WITHIN DIMENSIONS	DRAWN BY: CLL I CHECKED BY: BETTY APPROVED BY: MISEN MATERIAL NO. 73101-0360 SIZE C	DATE: 05/07/02 DATE: 05/07/02 DATE: 05/07/02	TITLE: BNC JACK VERTICAL PCB 75 OHM BNC-J/PCB	MOLEX INCORPORATED DOCUMENT NO. SD-73101-036 SHEET NO. 1 OF 1															

12 11 10 9 8 7 6 5 4 3 2 1

A A